

Datasheet

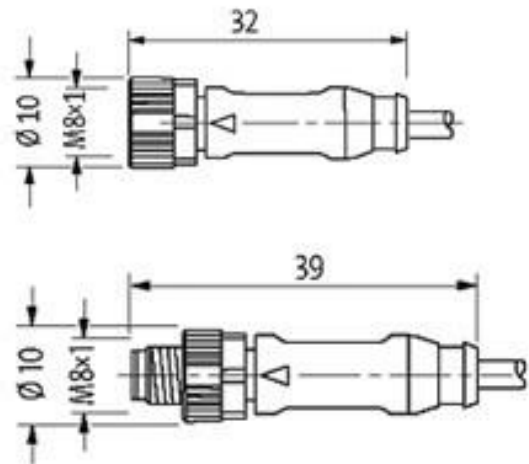
Part No.:	108219
Description	Cable set: Connection for switch amplifier (108278) / Built-in signal box consisted of: 1x 3,5 m cable connection for sensor with M8 (f) + 3x cable shoes, 1x 1,5 m cable connection for signal box with M8 (m) + 3x cable shoes
Weight:	0,130 kg
Colour	black

Compliance / approvals

Document No.:	Date	Inspection authority:
----------------------	-------------	------------------------------

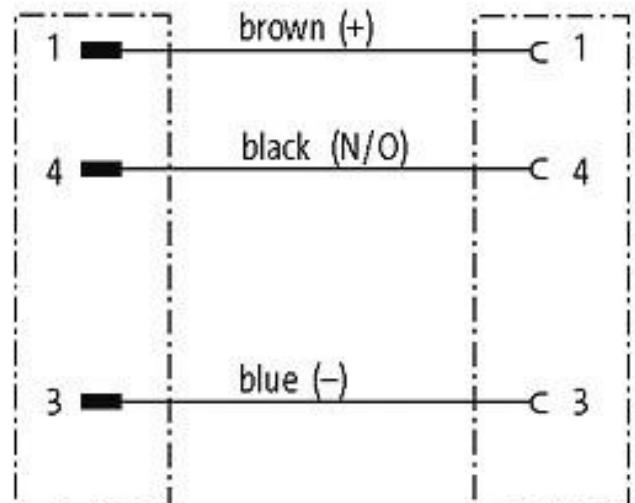
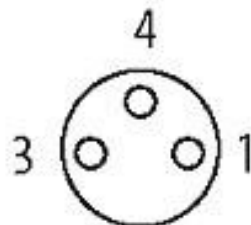
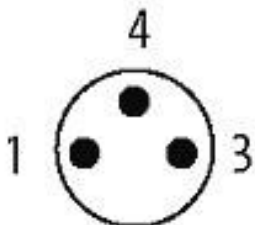
UN approval:

Other approvals / marks:



Male

Female



Datasheet

