

Product Data Sheet

Date of Generation: 17.01.2018



Isolating Switching Amplifier

N-132/2-01 120...230 V AC

- To connect **two NAMUR-Sensors** or potential-free mechanical contacts, which are mounted in the zones 0, 1, 2 (Gas) or 20, 21, 22 (dust)
- Compact design - only 17.6 mm width
- Removable screw terminals
- Indication sensor wire-break or shortcircuit via LED display

Certificate:

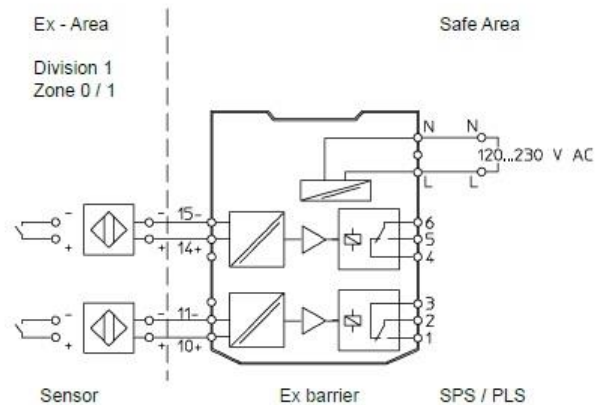
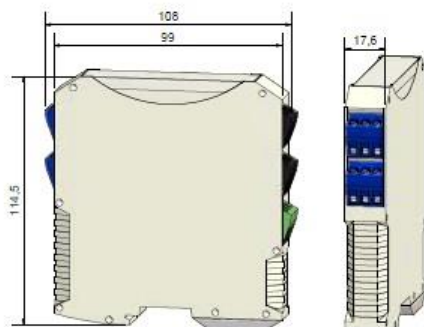


DMT DP ATEX E 087X	IECEX BVS 10.0088X
Ex II (1) G [Ex ia] IIC	[Ex ia] IIC
Ex II (1) D [Ex ia] IIIC	[Ex ia] IIIC



Technical data

Operating voltage (U_g)	120...230 V AC
Output function	2 x change-over contact potential-free
Contact rating each relay AC max.	250 V AC / 4 A
Contact rating each relay DC max.	250 V DC / 2 A
Type	N-132/2-01
Art.-No.	N 00015
No-load current (I_0)	Typ. 18 mA
No-load voltage max. (U_0)	9.6 V DC
Short-circuit current max. (I_{sc})	20 mA
Outer inductance max. (L_2)	[Ex ia] IIC 90 mH / IIB 340 mH
Outer capacitance max. (C_2)	[Ex ia] IIC 3.6 μ F / IIB 26 μ F
Actuating signal	NAMUR EN 60547-5-6
Permitted ambient temperature	-20...+70 °C
Display	Red / yellow and green
Degree of protection IC 60529	Housing: IP 30 Terminals: IP 20
Norm	EN 60947-5-6
Connection	Screw terminals



Post-/Lieferanschrift
S.C.A.T. Europe GmbH
Opelstraße 3
64546 Mörfelden
Deutschland

Telekommunikation
Tel.: +49-(0) 6105 - 305 586 - 0
Fax: +49-(0) 6105 - 305 586 - 99
e-Mail: info@scat-europe.com
Web: www.scat-europe.com

Bankverbindung
Volksbank Frankfurt
BLZ: 501 900 00
Konto-Nr.: 600 151 1678
SWIFT: FF VB DE FF

Gesellschaftsinformation
Sitz: 64546 Mörfelden
Amtsgericht: Darmstadt
Handelsregister B, Nr. 55045
Geschäftsführer: Dr.Burkhard Wittek