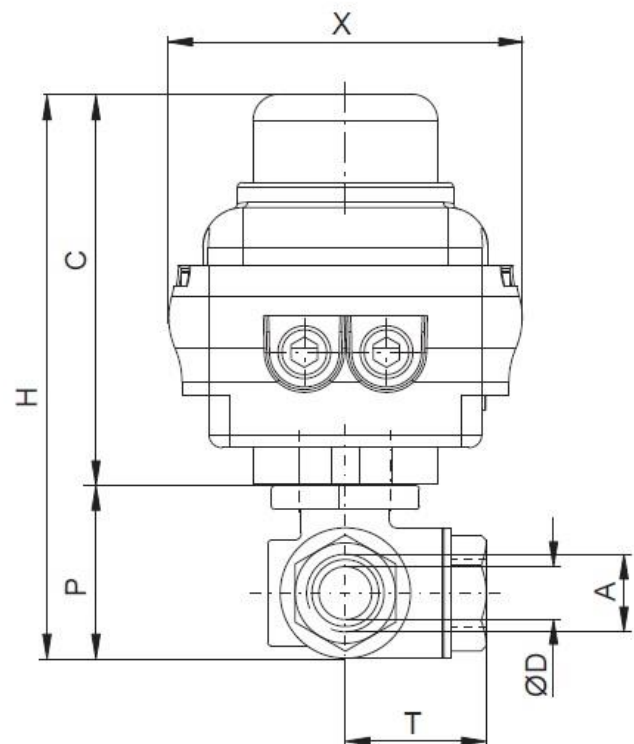
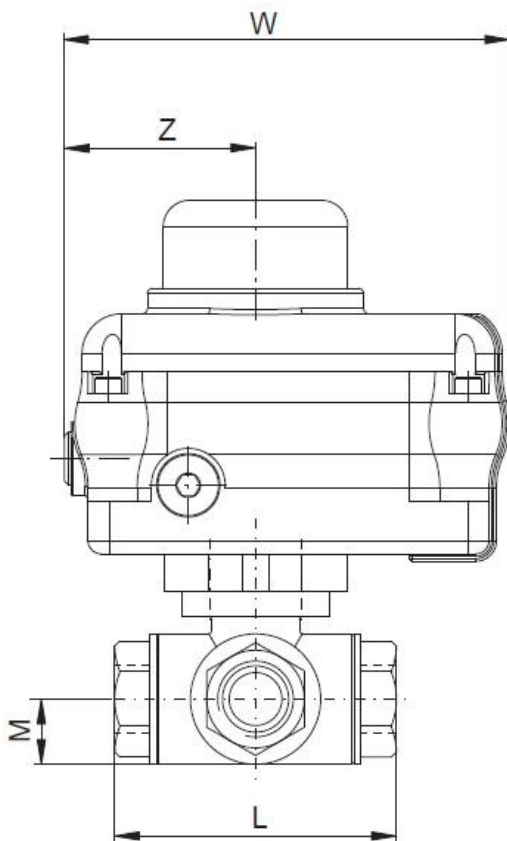


Product Data Sheet

Date of Generation: 23.02.2017

Artikel-Nr.:	160 178
Type of Product:	Ball valve with actuator, L-configuration, adapter GL25
Color:	Silver, blue
Connection:	3x GL25 (m), (3x 3/4" (f), ISO 228)
Dimensions (W x L x H):	ca. 220 x 360 x 210,5 mm (with adapter)
Weight:	ca. 2,8 kg
Voltages:	230V 50Hz ± 10%
Protection:	IP 67

Material:	
Body: (Ball Valve)	Stainless steel 1.4408
Ball:	Stainless steel 1.4401
Ball seal:	PTFE reinforced with 15% glassfibre
Body: (Actuator)	Carbon steel, Aluminium alloy, Bronze; polyester coated
Spindle seal:	PTFE-FKM



A	NE	ØD	L	T	H	P	C	M	X	W	Z
["	-	[mm]	[mm]	[mm]	[mm]	[mm]	[mm]	[mm]	[mm]	[mm]	[mm]
3/4	05	16	87	43,5	210,5	62,5	148	22,5	132	168	72

Post-/Lieferanschrift
S.C.A.T. Europe GmbH
Opelstraße 3
64546 Mörfelden
Deutschland

Telekommunikation
Tel.: +49-(0) 6105 - 305 586 - 0
Fax: +49-(0) 6105 - 305 586 - 99
e-Mail: info@scat-europe.com
Web: www.scat-europe.com

Bankverbindung
Volksbank Frankfurt
BLZ: 501 900 00
Konto-Nr.: 600 151 1678
SWIFT: FF VB DE FF

Gesellschaftsinformation
Sitz: 64546 Mörfelden
Amtsgericht: Darmstadt
Handelsregister B, Nr. 55045
Geschäftsführer: Johann Rittgasser